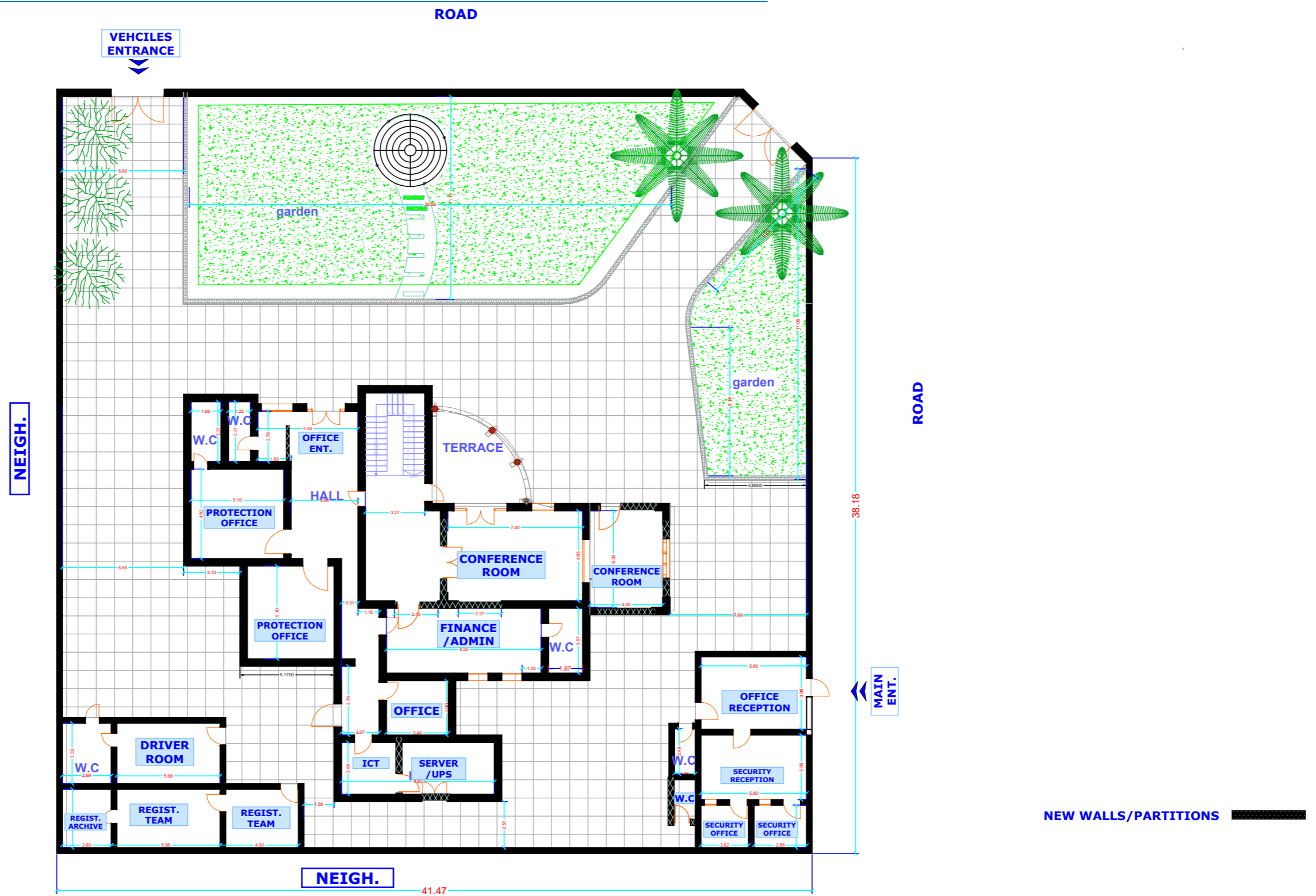
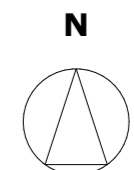


KHARTOUM FIELD OFFICE - KHARTOUM STATE/SUDAN



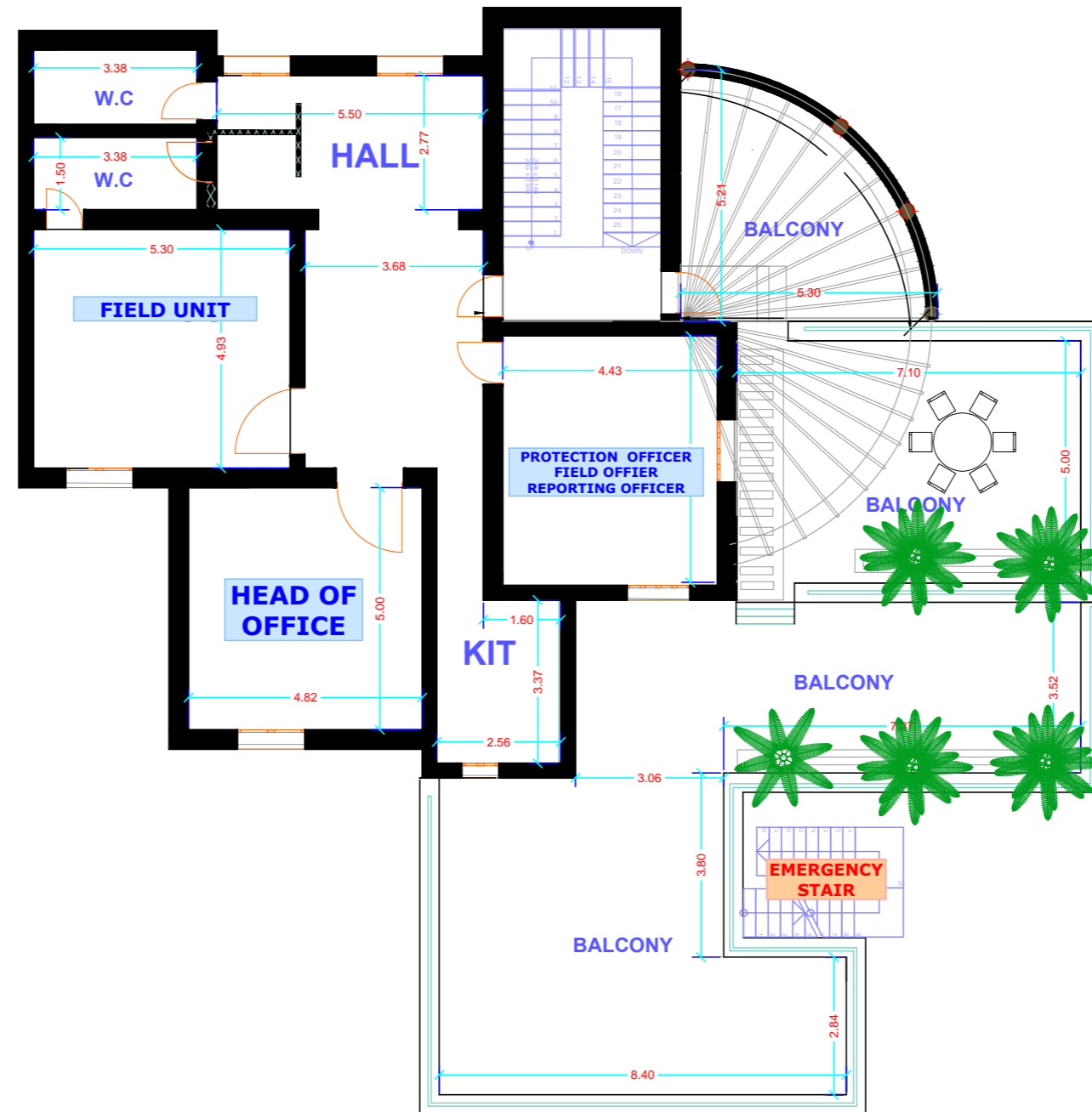
GROUND FLOOR PLAN

KHARTOUM FO - KHARTOUM			
UNHCR SUDAN	REV.00	DATE: JULY 2022	FEEDBACK: BAKERM@UNHCR.ORG

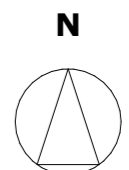


X: 98,74
Y: 01,48

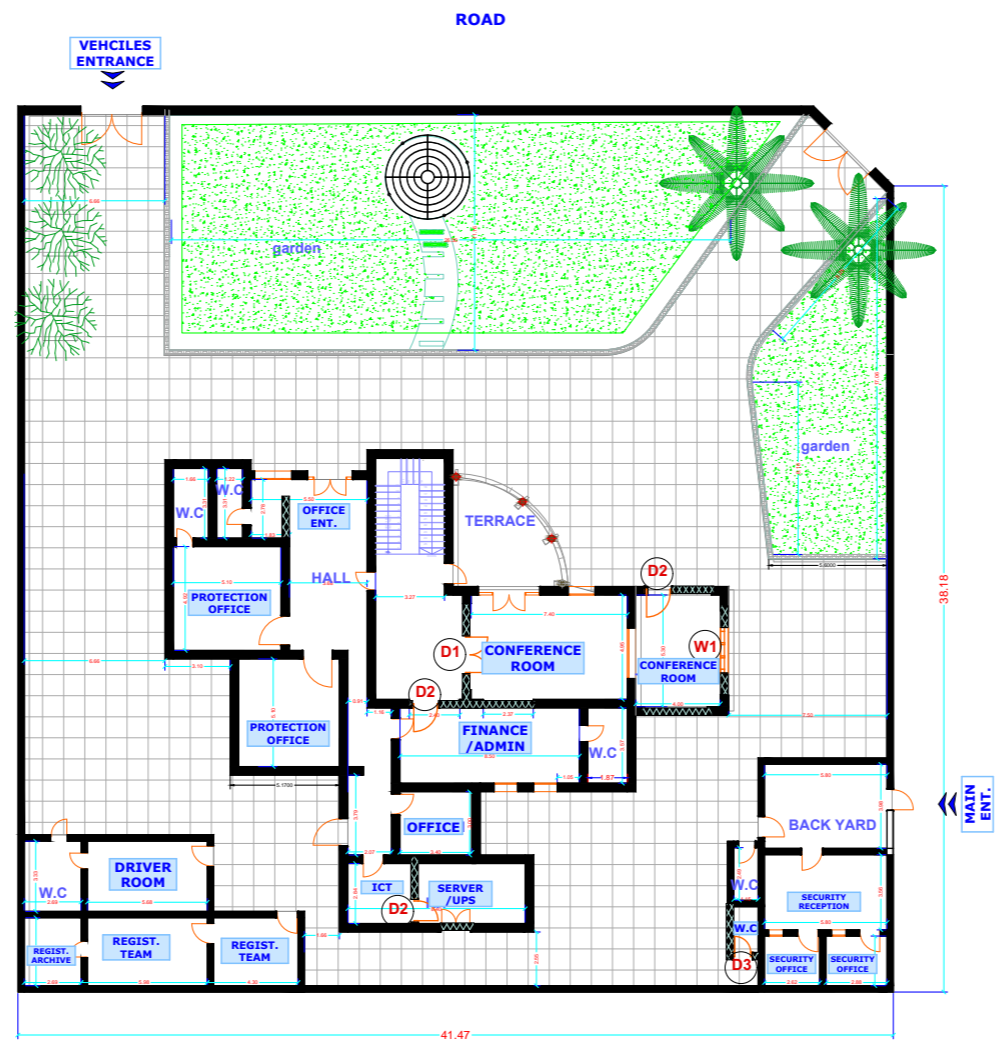
KHARTOUM FIELD OFFICE - KHARTOUM STATE/SUDAN



FIRST FLOOR PLAN



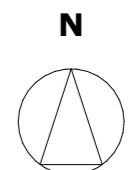
KHARTOUM FIELD OFFICE - KHARTOUM STATE/SUDAN



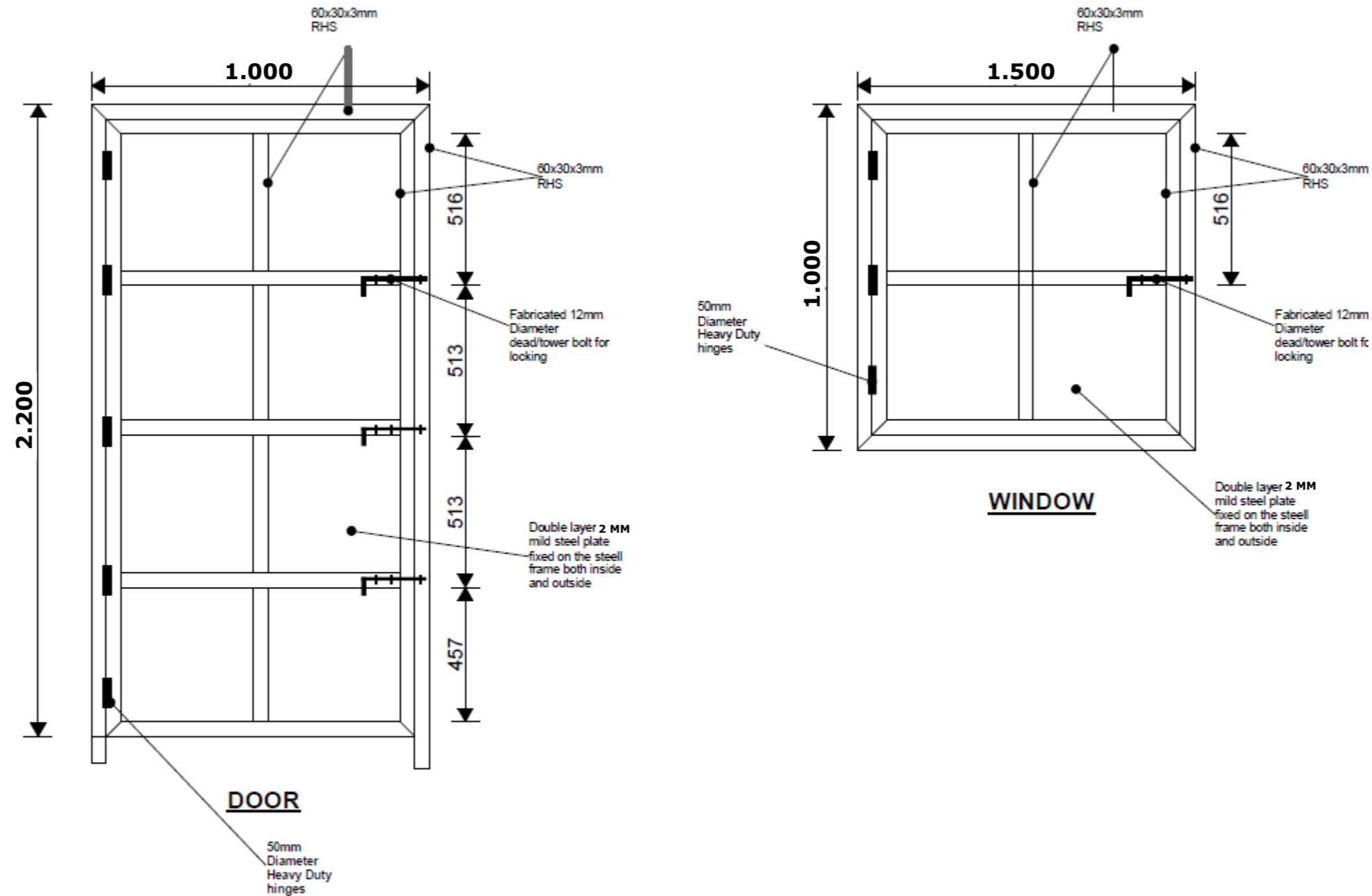
DOORS & WINDOWS

TYPE	W	H
D1	1.50	2.20
D2	1.00	2.20
D3	0.90	2.20
W1	1.80	1.00

DOORS AND WINDOWS



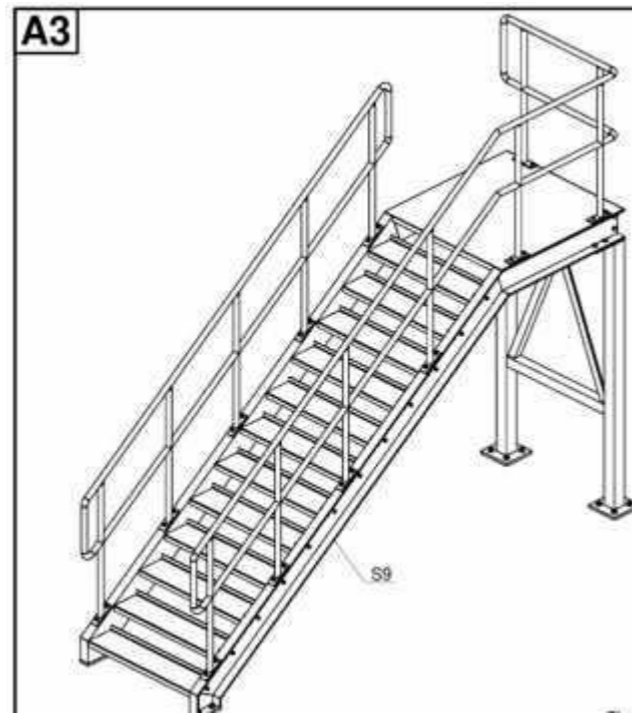
X: 98,74
Y: 01,48



SAFE ROOM DETAILS



X: 98,74
Y: 01,48



EMERGENCY STAIR DETAILS

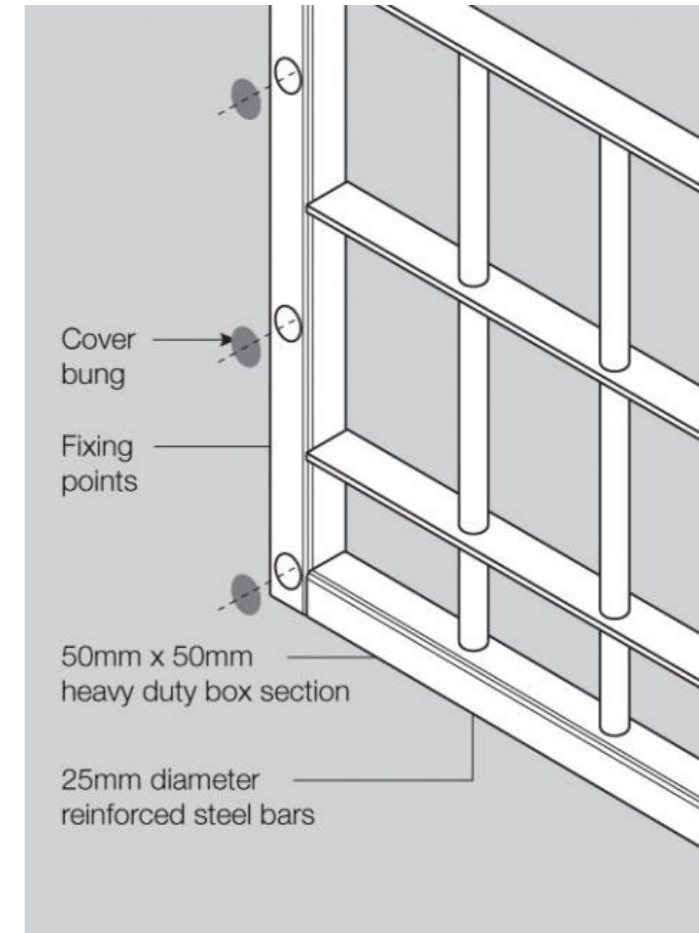
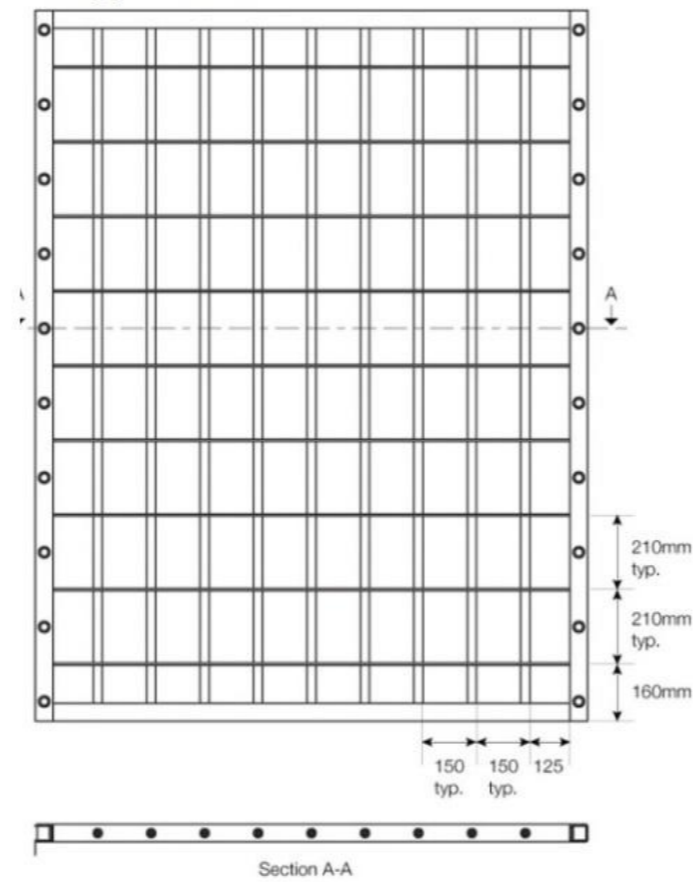
KHARTOUM FO - KHARTOUM			
UNHCR SUDAN	REV.00	DATE: JULY 2022	FEEDBACK: BAKERM@UNHCR.ORG



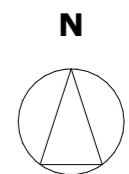
X: 98,74
Y: 01,48



Fixing positions



SECURE GRILL DETAILS



**X: 98,74
Y: 01,48**